

**BLACK & VEATCH**  
CORPORATION

DESIGNER

DRAWN

CHECKED

DATE

NO

DATE

REVISIONS AND RECORD OF ISSUE

DRN

DES

CHK

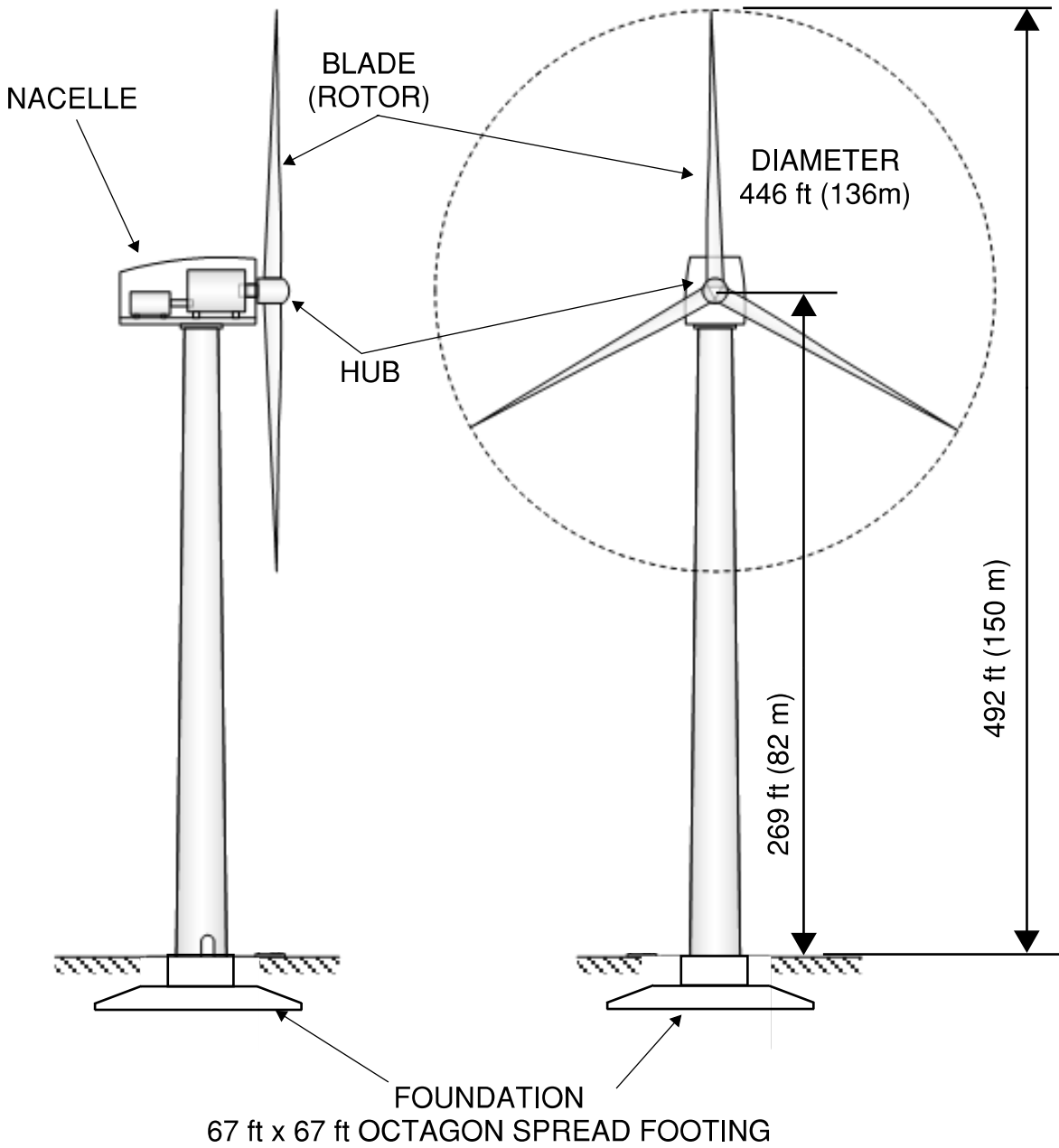
PDE

APP

REV

FOOTE CREEK REPOWER PROJECT

Turbine Type 1



**BLACK & VEATCH**  
CORPORATION

DESIGNER \_\_\_\_\_ DRAWN \_\_\_\_\_  
CHECKED \_\_\_\_\_ DATE \_\_\_\_\_

NO	DATE	REVISIONS AND RECORD OF ISSUE	DRN	DES	CHK	PDE	APP

FOOTE CREEK REPOWER PROJECT

REV

Turbine Type 2